

The **SWI 150** Interconnect Assembly series incorporates low loss performance cable and precision connectors providing for a good interconnect cable. These cables are ideal for in-box or in-cabinet applications to 18 GHz. These assemblies feature low loss double shielded cable with a FEP Teflon® jacket. The double shielded construction of these cables gives outstanding shielding effectiveness of greater than -85dB @ 18 GHz. The assemblies feature precision stainless steel connectors designed to meet MIL-C-39012, MIL-STD-348a or all applicable industry specs, and are available in straight male, straight female, bulkhead, and right angle styles. These cable assemblies feature both low loss, excellent VSWR, and are excellent to increase the performance of any system.

## FEATURES

- Precision stainless steel connectors
- FEP outer jacket
- Double shielded for greater than -85 dB leakage at 18 GHz
- Low loss PTFE tape dielectric

## CONNECTORS

- N, SMA, TNC
- Straight male, right angle male; bulkhead female

## CABLE SIZE

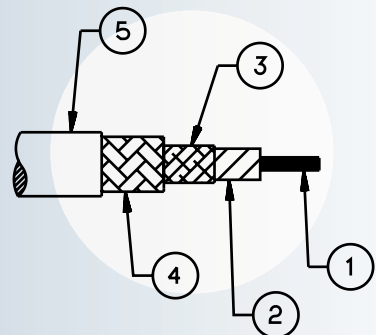
0.150 inches, nominal outer diameter; 6 inches, 12 inches, 18 inches, 24 inches, 30 inches  
36 inches standard lengths

## APPLICATIONS

- General purpose, low loss interconnections
- High temperature (+200°C) environments (-65°C) low temperature



## Cable Construction



1. Center conductor: Silver plated copper \*
  2. Dielectric: Microporous PTFE tape
  3. Outer conductor: Silver plated copper flat braid\*
  4. Braid: Silver plated copper round braid \*
  5. Jacket options: Extruded FEP
- \* Silver plating per ASTM-B-298

Teflon is a registered trademark of the DuPont Corporation

### ELECTRICALS

Velocity of Propagation %		76
RF Leakage Min. @ 18GHz dB/ft		-85
Impedance	Nominal	50
Capacitance	pF/ft (pF/m)	27 (88.58)
Delay	ns/ft (ns/m)	1.34 (4.40)
Breakdown Voltage	KV	>7

### MECHANICAL/ENVIRONMENTAL

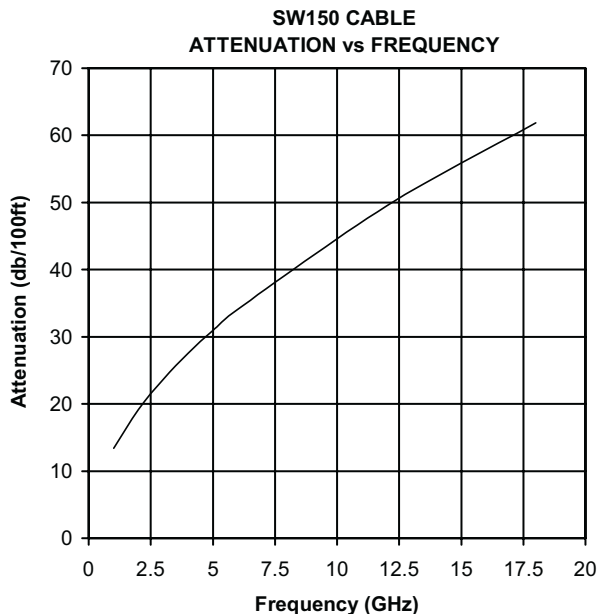
Nominal Diameter	inches (cm)	.150 (.386)
Minimum Bend Radius	inches (cm)	.8 (2.03)
Temperature	DEG. C	-65/+200
Weight	lb/ft (kg/m)	.04 (.06)

### MATERIALS AND FINISHES CONNECTORS

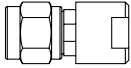
SMA Body	Stainless steel
SMA Nut	Stainless steel
Gasket	Silicon Rubber
Contact	BeCu / Gold plated
Insulator	PTFE

### MATERIALS AND FINISHES CABLE

Cable Jacket	FEP
Outer Shield	Silver Copper
Inter Conductor	Silver Copper
Dielectric	Micro-porous PTFE
Center Conductor	Silver Copper

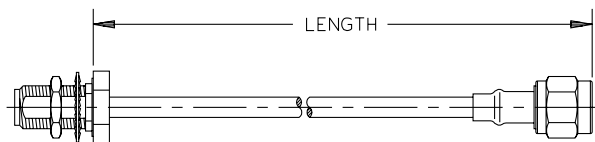
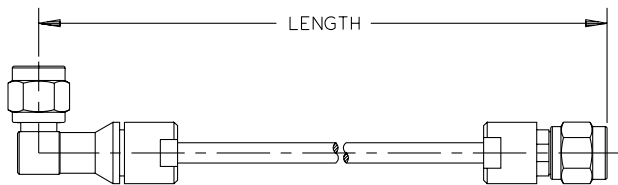
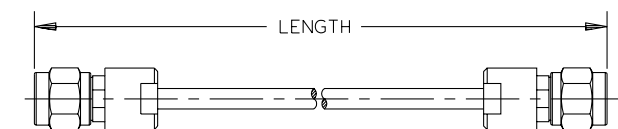


**CONNECTOR CODES**



CONNECTOR STYLE	MALE		FEMALE
	STR	RA	BULKHD
SMA	21	22	24
N TYPE	51	52	54
TNC	61	62	64

### HOW TO MEASURE LENGTH



Standard Lengths of  
6 inches, 12 inches, 18 inches, 24 inches  
30 inches, 36 inches

### HOW TO SPECIFY PART NUMBER

□ □  
CONNECTOR ONE

□ □  
CONNECTOR TWO

**SW 1 5 0**  
CABLE

□ □ □  
STANDARD LENGTH (INCHES)

FOR EXAMPLE:

**SMA STRAIGHT MALE TO SMA STRAIGHT MALE, 36 INCHES LONG.**  
NOTE: USE LEADING ZEROS WHEN SPECIFYING LENGTH.

PART NUMBER IS:

21

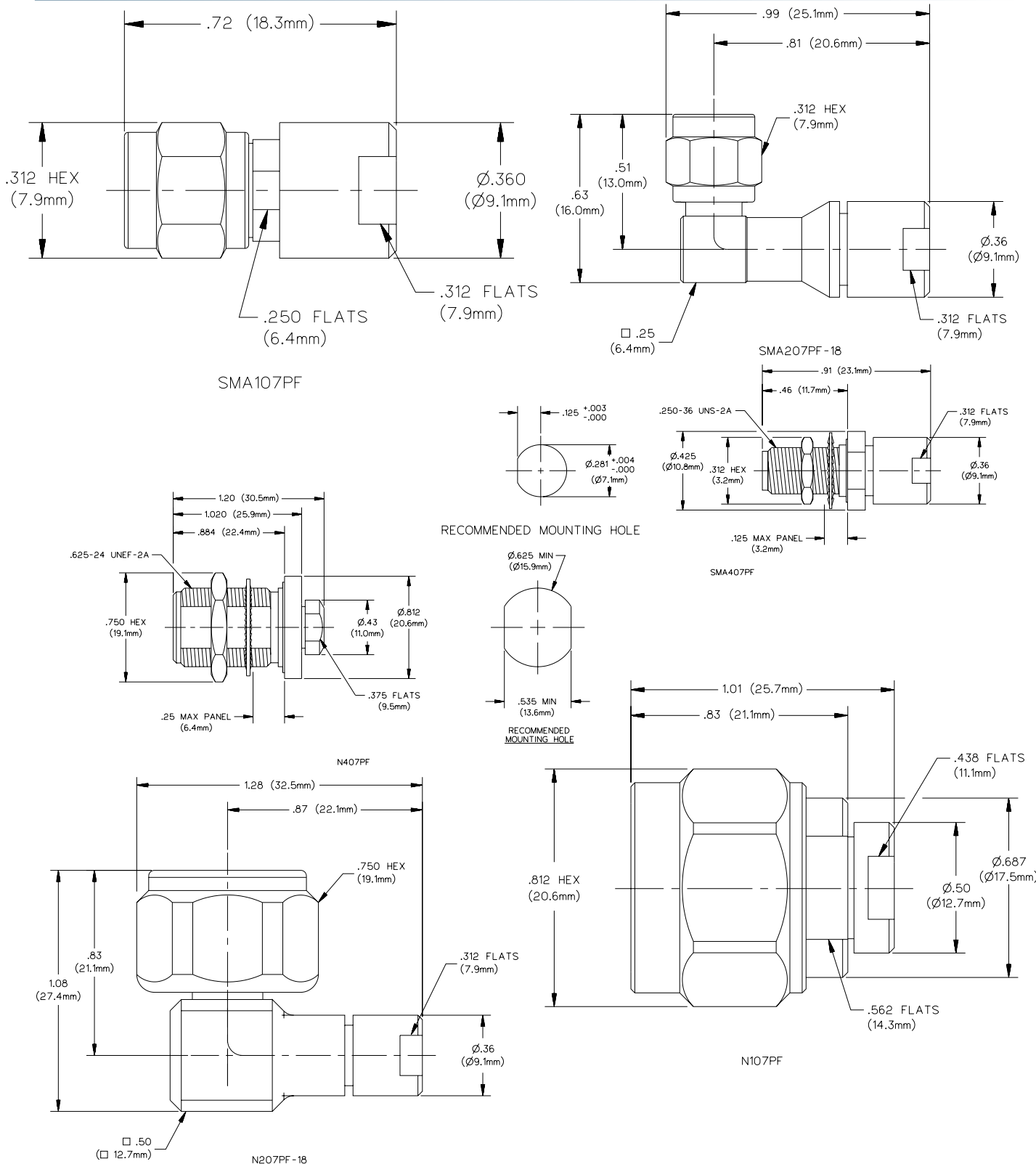
21

SW 1 5 0

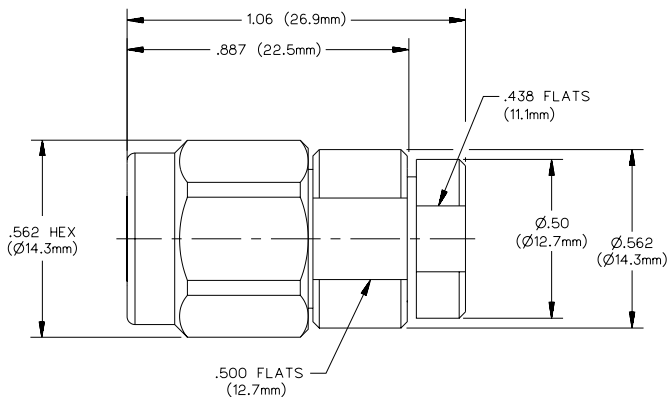
036

FOR OTHER CONFIGURATION AND LENGTHS CONTACT SEMFLEX: [customer.service@semflex.com](mailto:customer.service@semflex.com)

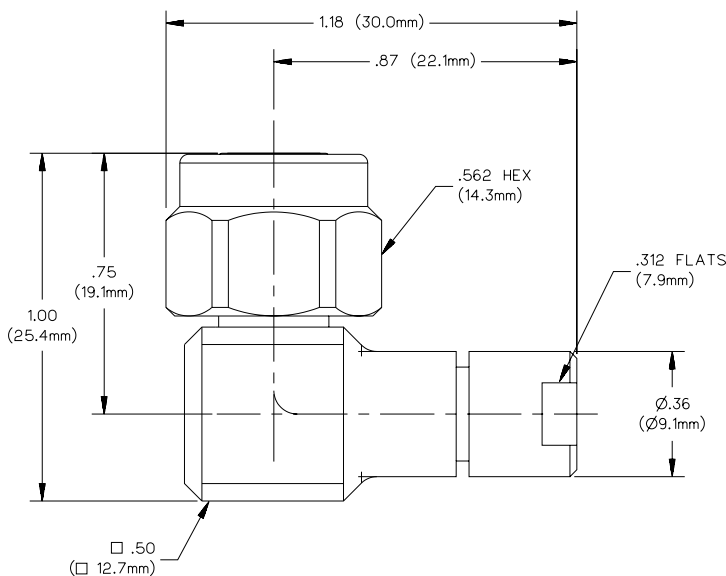
### SWI-150 GROUP CONNECTORS



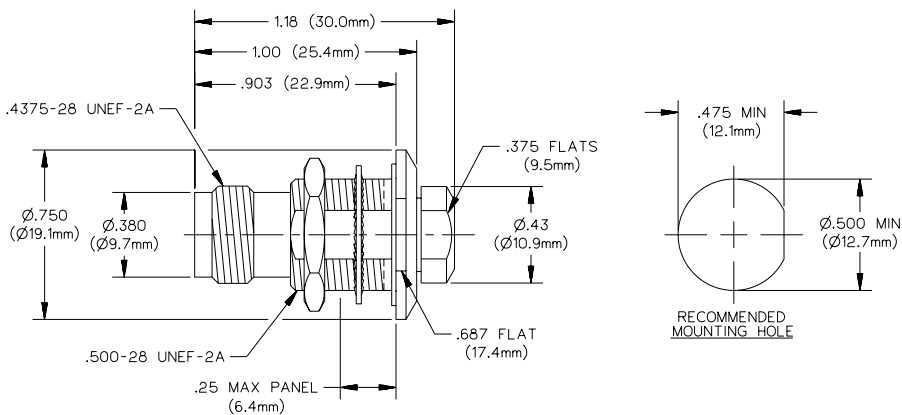
## SWI-150 GROUP CONNECTORS (2)



TNC107PF



TNC207PF-16



TNC407PF