

The **RTI 180** Interconnect Assembly series incorporates low loss performance cable and precision connectors providing good interconnect cables for applications to 12 GHz. These assemblies feature low loss double shielded cable with a FEP Teflon® jacket with a diameter of .180 inches. The double shielded construction of these cables gives outstanding shielding effectiveness of greater than -85dB @ 12 GHz. The assemblies feature precision brass TechnaPlate™ connectors designed to meet MIL-C-39012, MIL-STD-348a or applicable industry specs, with styles including right angles and bulkheads. These cable assemblies feature low loss, excellent VSWR, low passive intermodulation distortion and are phase stable over a wide range of applications up to 12 GHz.

FEATURES

Low passive intermodulation distortion design

No magnetic paths

TechnaPlate™ brass connectors

Low loss PTFE tape dielectric

CONNECTORS

SMA, N, TNC

Straight male, right angle male; bulkhead female

CABLE SIZE

.195 inches, nominal outer diameter; 6 inches, 12 inches, 18 inches, 24 inches, 30 inches
36 inches standard lengths

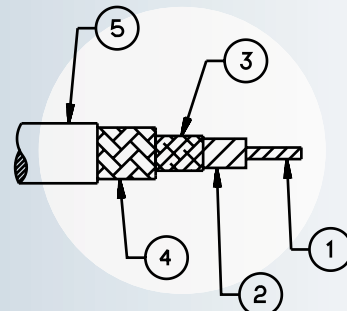
APPLICATIONS

Cost effective, medium power interconnections

PCS/cellular transmission signal distribution

Medical imaging products

Cable Construction



1. Center conductor: Silver plated copper *
 2. Dielectric: Microporous PTFE tape
 3. Outer conductor: Silver plated copper flat braid*
 4. Braid: Silver plated copper round braid *
 5. Jacket options: Extruded FEP, polyurethane
- * Silver plating per ASTM-B-298

TechnaPlate™ is a copper, tin, zinc alloy

Teflon is a registered trademark of the DuPont Corporation

ELECTRICALS

Velocity of Propagation %		76.5
RF Leakage Min. @ 1GHz dB/ft		-100
Impedance	Nominal	50
Capacitance	pF/ft (pF/m)	27 (88.58)
Delay	ns/ft (ns/m)	1.34 (4.40)
Breakdown Voltage	KV	>12
Passive Intermodulation Distortion (dBm)		-110
(measured with two +43 dBm tones at 1950, 1930 MHz)		

MECHANICAL/ENVIRONMENTAL

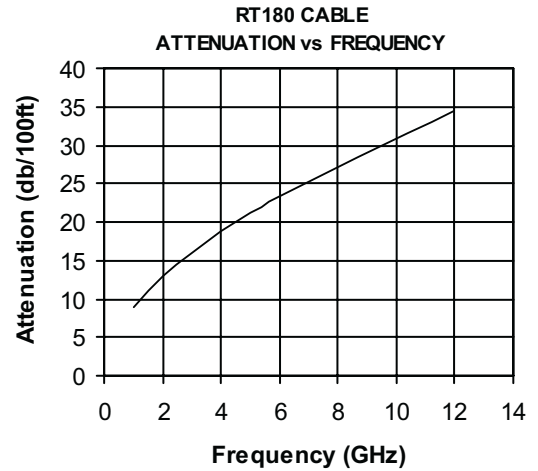
Nominal Diameter	inches (cm)	0.195 (.495)
Minimum Bend Radius	inches (cm)	1.0 (2.54)
Temperature	DEG. C	-65/+200
Weight	lb/ft (g/m)	0.05 (74.31)

MATERIALS AND FINISHES CONNECTORS

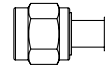
Body	Brass/ TechnaPlate™
Nut	Brass/ TechnaPlate™
Gasket	Silicon Rubber
Contact	Brass or BeCu/ TechnaPlate™
Insulator	PTFE

MATERIALS AND FINISHES CABLE

Cable Jacket	FEP
Outer Shield	Silver Copper
Inter Conductor	Silver Copper
Dielectric	Micro-porous PTFE
Center Conductor	Silver Copper

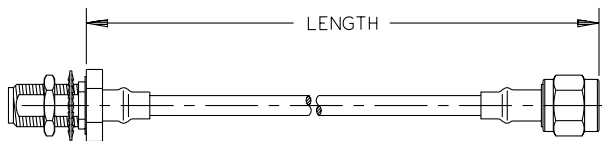


CONNECTOR CODES

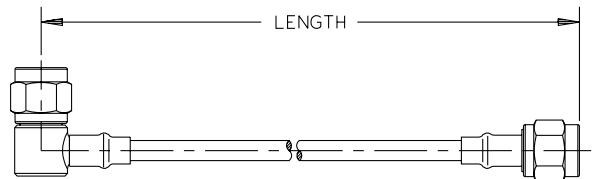
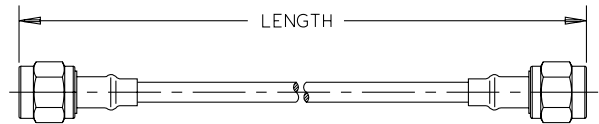


CONNECTOR STYLE	MALE		FEMALE
	STR	RA	BULKHD
SMA	21	22	24
N TYPE	51	52	54
TNC	61	62	64

Standard lengths of
6 inches, 12 inches, 18 inches, 24 inches,
30 inches, 36 inches



HOW TO MEASURE LENGTH



HOW TO SPECIFY PART NUMBER

□ □
CONNECTOR ONE

□ □
CONNECTOR TWO

RT180
CABLE

□ □ □
STANDARD LENGTH (INCHES)

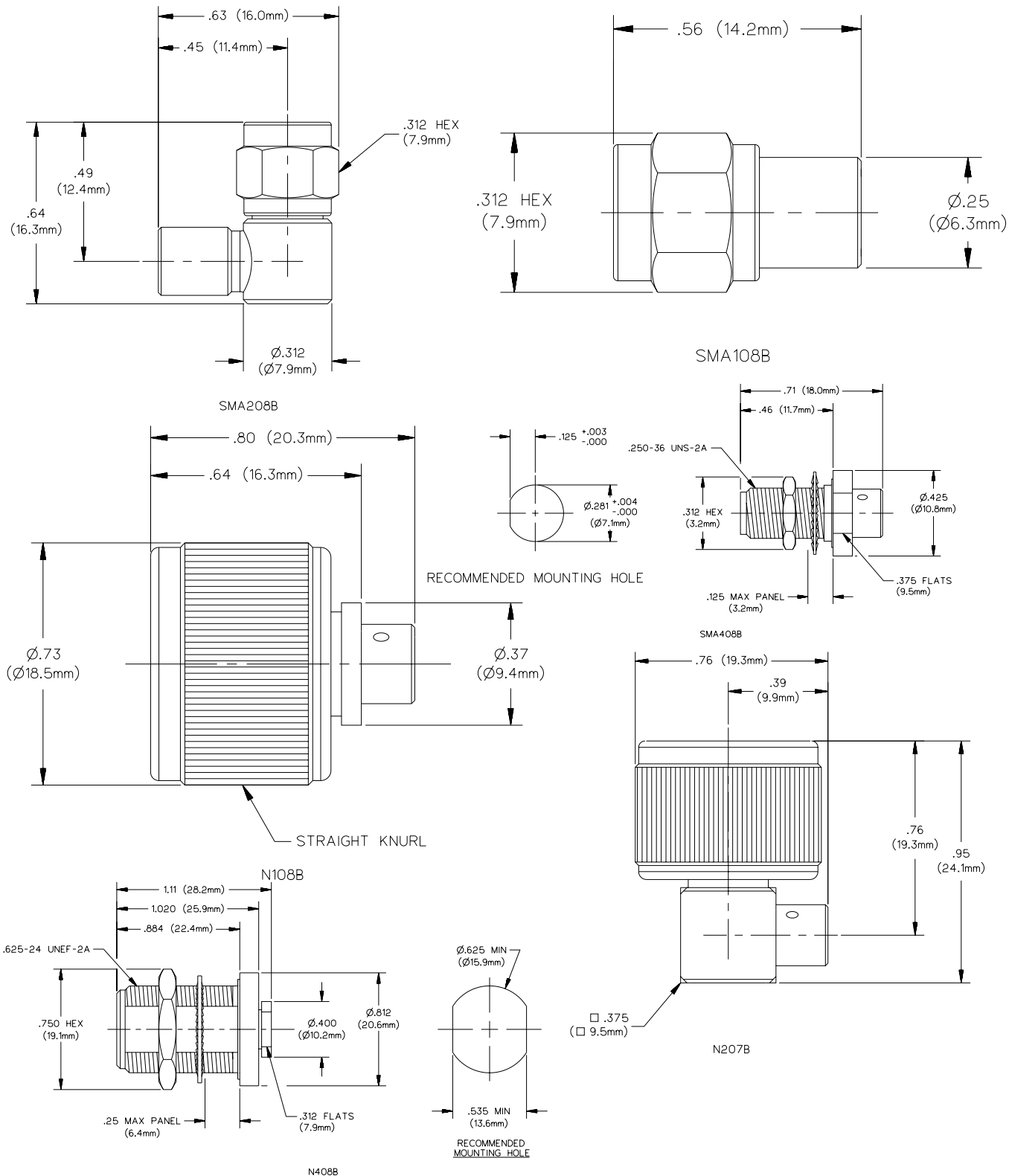
FOR EXAMPLE:

SMA STRAIGHT MALE TO SMA STRAIGHT MALE, 36 INCHES LONG.
NOTE: USE LEADING ZEROS WHEN SPECIFYING LENGTH.

PART NUMBER IS: 21 21 RT180 036

FOR OTHER CONFIGURATION AND LENGTHS CONTACT SEMFLEX: customer.service@semflex.com

RTI-180 GROUP CONNECTORS



RTI-180 GROUP CONNECTORS (2)

