

The **RTI 150** Interconnect Assembly series incorporates low loss performance cable and precision connectors providing good interconnect cables for applications to 12 GHz. These assemblies feature low loss double shielded cable with a FEP Teflon® jacket with a diameter of .150 inches. The double shielded construction of these cables gives outstanding shielding effectiveness of greater than -85dB @ 12 GHz. The assemblies feature precision brass TechnaPlate™ connectors designed to meet MIL-C-39012, MIL-STD-348a and applicable industry specs, with styles including right angles and bulkheads. These cable assemblies feature low loss, excellent VSWR, low passive intermodulation distortion and are phase stable over a wide range of applications up to 12 GHz.

FEATURES

- Low passive intermodulation distortion design
- No magnetic paths
- TechnaPlate™ brass connectors
- Low loss PTFE tape dielectric

CONNECTORS

- SMA, N, TNC
- Straight male, right angle male; bulkhead female

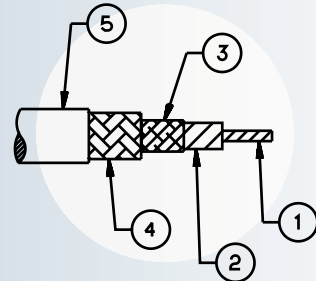
CABLE SIZE

- .150 inches, nominal outer diameter; 6 inches, 12 inches, 18 inches, 24 inches, 30 inches 36 inches standard lengths

APPLICATIONS

- Cost effective, medium power interconnections
- PCS/cellular transmission signal distribution
- Medical imaging products

Cable Construction



1. Center conductor: Silver plated copper *
 2. Dielectric: Microporous PTFE
 3. Outer conductor: Silver plated copper flat braid*
 4. Braid: Silver plated copper round braid *
 5. Jacket options: Extruded FEP, polyurethane
- * Silver plating per ASTM-B-298

TechnaPlate™ is a copper, tin, zinc alloy
Teflon is a registered trademark of the DuPont Corporation

ELECTRICALS

Velocity of Propagation %		76
RF Leakage Min. @ 1GHz dB/ft		-100
Impedance	Nominal	50
Capacitance	pF/ft (pF/m)	27 (88.58)
Delay	ns/ft (ns/m)	1.34 (4.40)
Breakdown Voltage	KV	>11
Passive Intermodulation Distortion (dBm)		-110
(measured with two +43 dBm tones at 1950, 1930 MHz)		

MECHANICAL/ENVIRONMENTAL

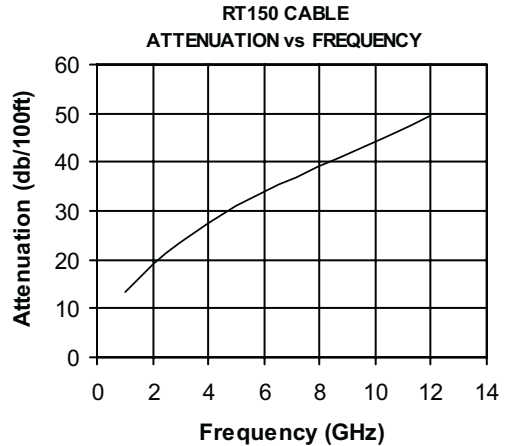
Nominal Diameter	inches (cm)	0.152 (.386)
Minimum Bend Radius	inches (cm)	0.8 (2.03)
Temperature	DEG. C	-65/+200
Weight	lb/ft (g/m)	0.04 (59.45)

MATERIALS AND FINISHES CONNECTORS

Body	Brass/ TechnaPlate TM
Nut	Brass/ TechnaPlate TM
Gasket	Silicon Rubber
Contact	Brass or BeCu/ TechnaPlate TM
Insulator	PTFE

MATERIALS AND FINISHES CABLE

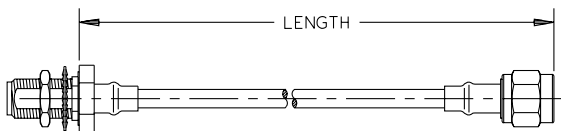
Cable Jacket	FEP
Outer Shield	Silver Copper
Inter Conductor	Silver Copper
Dielectric	Micro-porous PTFE
Center Conductor	Silver Copper



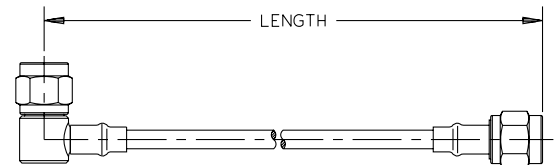
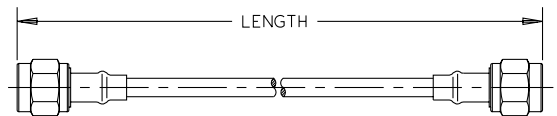
CONNECTOR CODES

CONNECTOR STYLE	MALE		FEMALE
	STR	RA	BULKHD
SMA	21	22	24
N TYPE	51	52	54
TNC	61	62	64

Standard lengths of
6 inches, 12 inches, 18 inches, 24 inches,
30 inches, 36 inches



HOW TO MEASURE LENGTH



HOW TO SPECIFY PART NUMBER

□□
CONNECTOR ONE

□□
CONNECTOR TWO

RT150
CABLE

□□□
STANDARD LENGTH (INCHES)

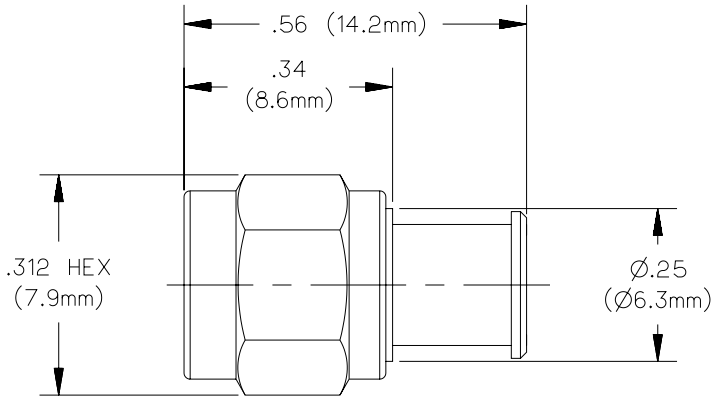
FOR EXAMPLE:

SMA STRAIGHT MALE TO SMA STRAIGHT MALE, 36 INCHES LONG.
NOTE: USE LEADING ZEROS WHEN SPECIFYING LENGTH.

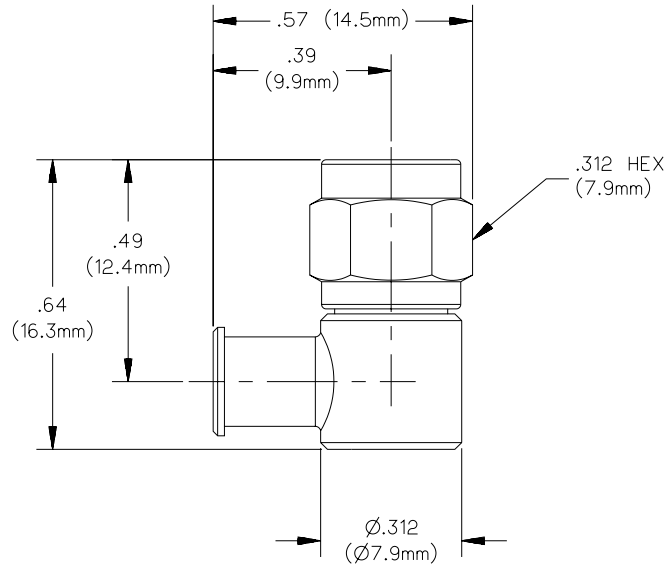
PART NUMBER IS: 21 21 RT150 036

FOR OTHER CONFIGURATION AND LENGTHS CONTACT SEMFLEX: customer.service@semflex.com

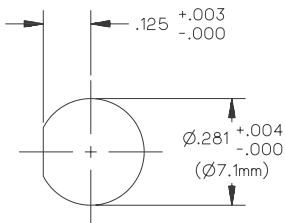
RTI-GROUP CONNECTORS



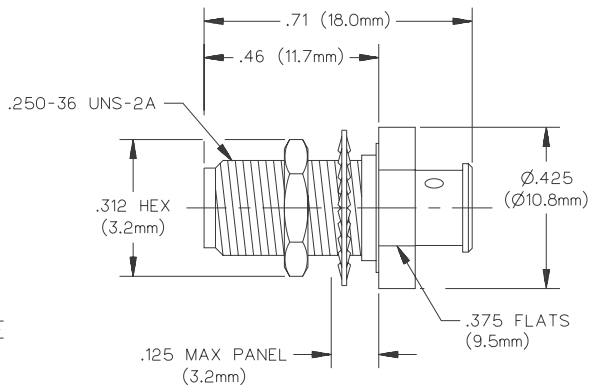
SMA107B



SMA207B

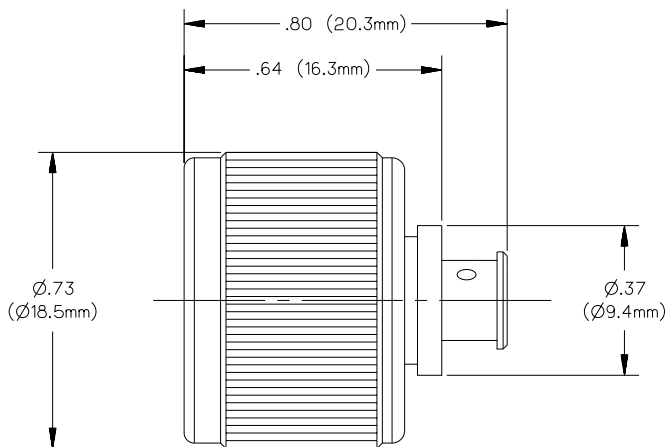


RECOMMENDED MOUNTING HOLE

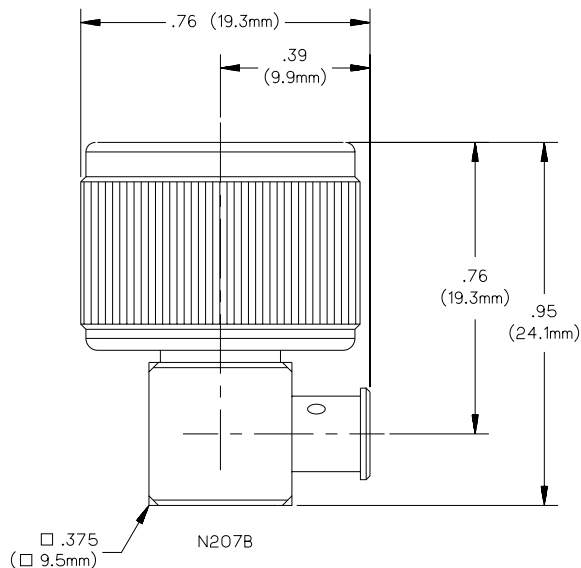


SMA407B

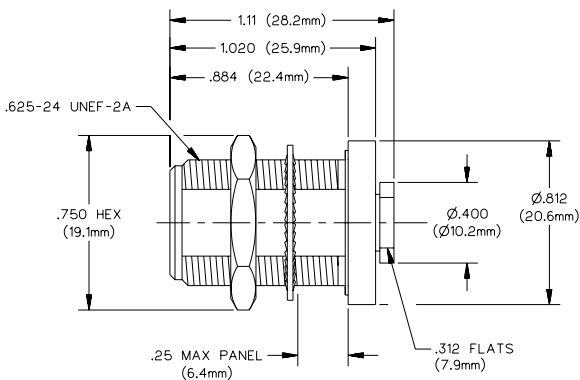
RTI-GROUP CONNECTORS (2)



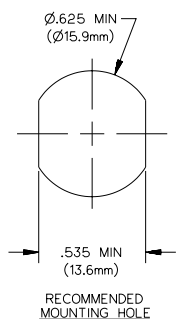
N107B
STRAIGHT KNURL



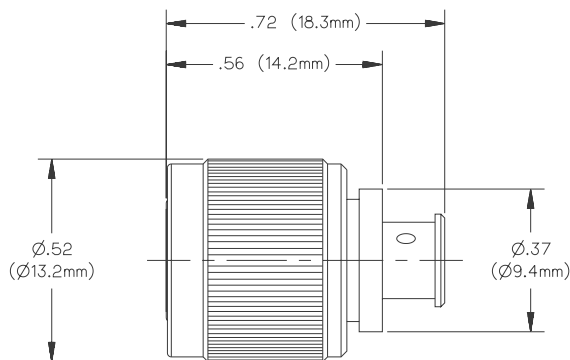
N207B
□ .375 (□ 9.5mm)



N407B

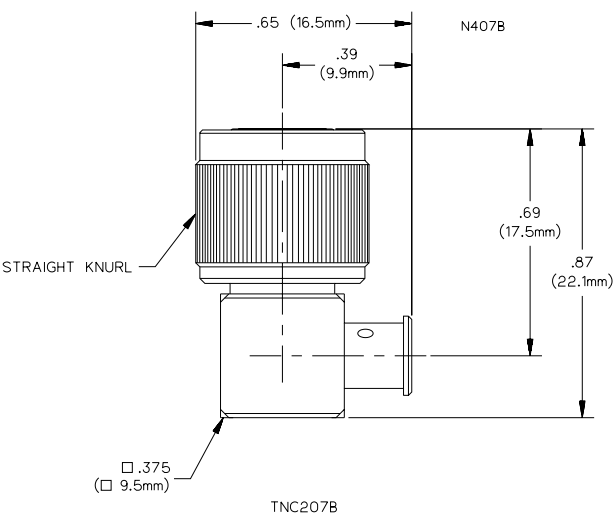


RECOMMENDED MOUNTING HOLE



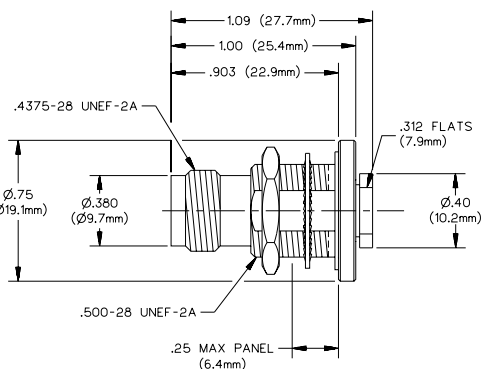
TNC107B

STRAIGHT KNURL

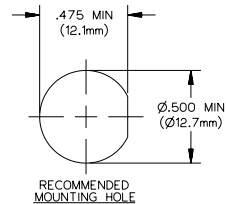


□ .375 (□ 9.5mm)

TNC207B



TNC407B



RECOMMENDED MOUNTING HOLE