

The **RTI 110** Interconnect Assembly series incorporates low loss performance cable and precision connectors providing good interconnect cables for applications to 12 GHz. These assemblies feature low loss double shielded cable with a FEP Teflon[®] jacket with a diameter of 0.110 inches. The double shielded construction of these cables gives outstanding shielding effectiveness of greater than -85dB @ 12 GHz. The assemblies feature precision brass TechnaPlateTM connectors designed to meet MIL-C-39012, MIL-STD-348a or applicable industry specs, with styles including right angles and bulkheads. These cable assemblies feature low loss, excellent VSWR, low passive intermodulation distortion and are phase stable over a wide range of applications up to 12 GHz.

FEATURES

- Low passive intermodulation distortion design
- No magnetic paths
- Precision TechnaPlateTM brass connectors
- Low loss PTFE tape dielectric

CONNECTORS

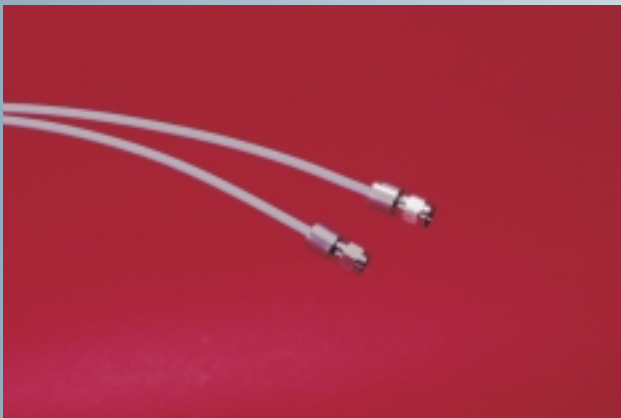
- SMA, MCX (6 GHz upper cutoff frequency, MCX only)
- Straight male, right angle male; bulkhead female

CABLE SIZE

- .115 inches, nominal outer diameter; 6 inches, 12 inches, 18 inches, 24 inches, 30 inches 36 inches standard lengths

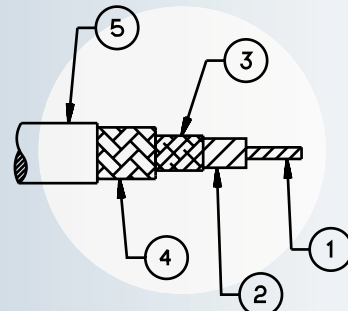
APPLICATIONS

- Cost effective, low power interconnections
- Medical imaging products
- PCS/cellular transmission signal distribution



TechnaPlateTM is a copper, tin, zinc alloy
Teflon is a registered trade mark of DuPont Corporation

Cable Construction



1. Center conductor: Silver plated copper *
 2. Dielectric: Microporous PTFE tape
 3. Outer conductor: Silver plated copper flat braid*
 4. Braid: Silver plated copper round braid *
 5. Jacket options: Extruded FEP, polyurethane
- * Silver plating per ASTM-B-298

ELECTRICALS

Velocity of Propagation %		76
RF Leakage Min. @ 1GHz dB/ft		-100
Impedance	Nominal	50
Capacitance	pF/ft (pF/m)	27 (88.58)
Delay	ns/ft (ns/m)	1.34 (4.40)
Breakdown Voltage	KV	>10
Passive Intermodulation Distortion (dBm)		-110
(measured with two +43 dBm tones at 1950, 1930 MHz)		

Nominal Diameter	inches (cm)	0.118 (.300)
Minimum Bend Radius	inches (cm)	0.5 (1.27)
Temperature	DEG. C	-65/+200
Weight	lb/ft (g/m)	0.02 (29.72)

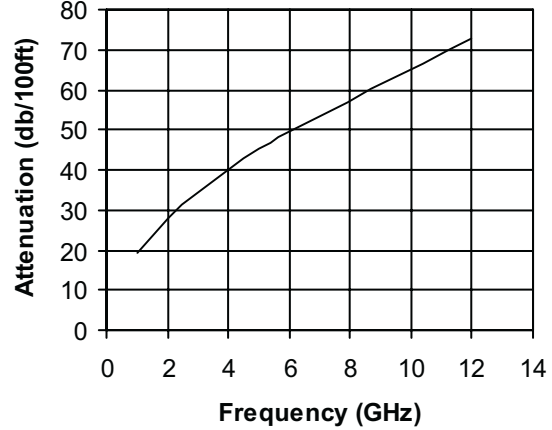
MATERIALS AND FINISHES CONNECTORS

Body	Brass/ TechnaPlate™
Nut	Brass/ TechnaPlate™
Gasket	Silicon Rubber
Contact	Brass or BeCu/ TechnaPlate™
Insulator	PTFE

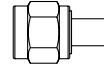
MATERIALS AND FINISHES CABLE

Cable Jacket	FEP
Outer Shield	Silver Copper
Inter Conductor	Silver Copper
Dielectric	Micro-porous PTFE
Center Conductor	Silver Copper

RT110 CABLE
ATTENUATION vs FREQUENCY



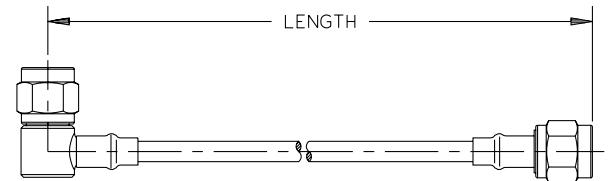
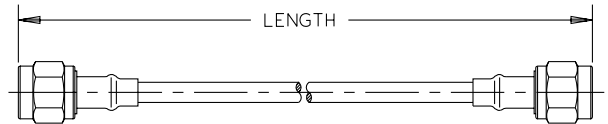
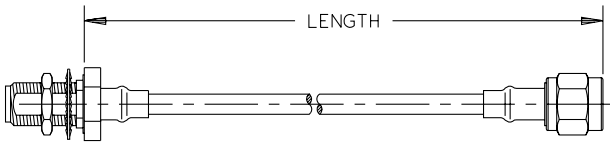
CONNECTOR CODES



CONNECTOR STYLE	MALE		FEMALE
	STR	RA	BULKHHD
SMA	21	22	24
MCX	81	82	

HOW TO MEASURE LENGTH

Standard lengths of
6 inches, 12 inches, 18 inches, 24 inches,
30 inches, 36 inches



HOW TO SPECIFY PART NUMBER

□ □
CONNECTOR ONE

□ □
CONNECTOR TWO

RT110
CABLE

□ □ □
STANDARD LENGTH (INCHES)

FOR EXAMPLE:

SMA STRAIGHT MALE TO SMA STRAIGHT MALE, 36 INCHES LONG.
NOTE: USE LEADING ZEROS WHEN SPECIFYING LENGTH.

PART NUMBER IS:

21

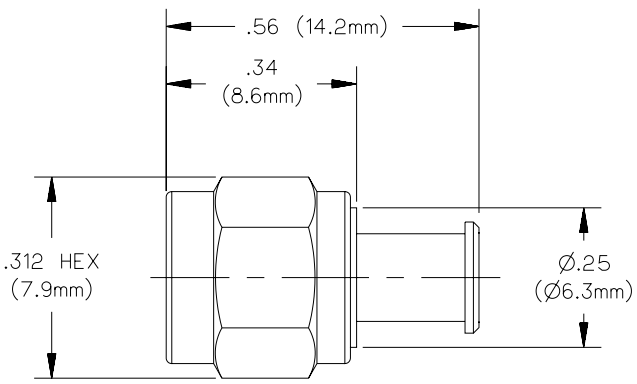
21

RT110

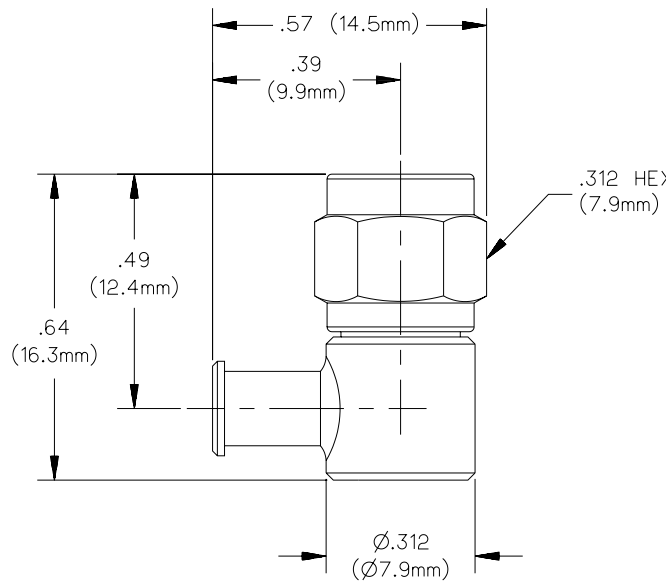
036

FOR OTHER CONFIGURATION AND LENGTHS CONTACT SEMFLEX: customer.service@semflex.com

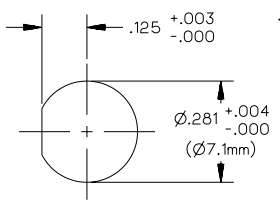
RTI-110 GROUP CONNECTORS



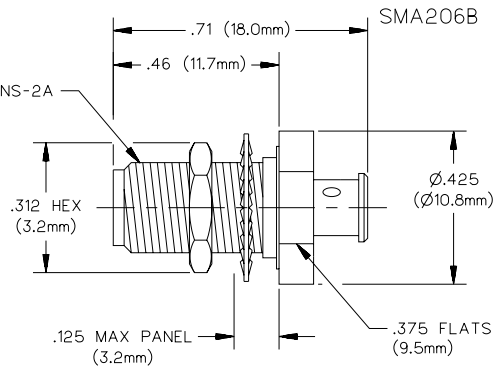
SMA106B



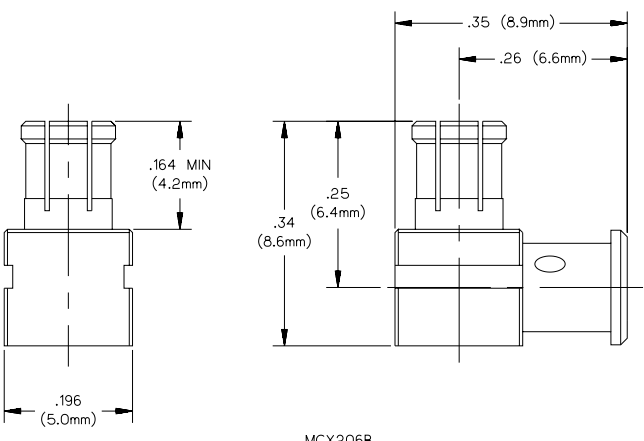
SMA206B



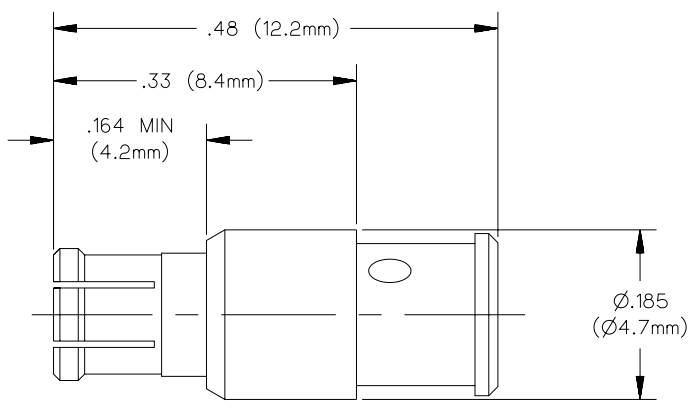
RECOMMENDED MOUNTING HOLE



SMA406B



MCX206B



MCX106B